

# Assembly Instructions

## Aspen Square Side Table

- Before you begin to assemble your new piece of furniture, please check to ensure that all parts have been supplied.
- Follow instructions closely as deviation from them may void your warranty and present a possible safety risk.
- It is recommended that assembly is done on a soft surface like carpet to avoid any damage.
- If you experience any problems with your new purchase please phone our Customer Service Hotline 1800 807 416 (Customers outside Australia should contact their closest Freedom store.)

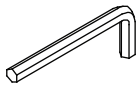
---

### Care Information

Periodically check and re-tighten any fasteners. Wipe down all surfaces weekly with a clean cloth. Do not clean any surfaces with harsh abrasives or chemicals.

---

### Hardware



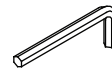
1xPart A



1xPart B



4xPart C



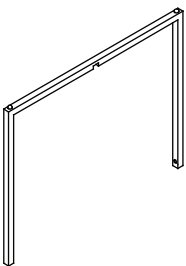
1xPart D



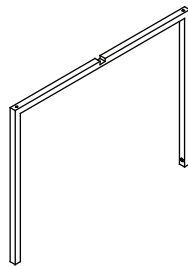
4xPart E

---

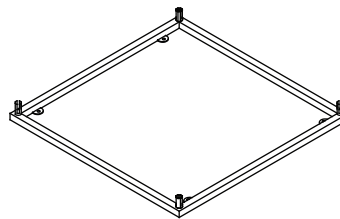
### Parts



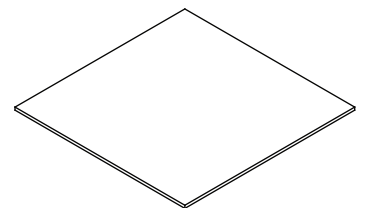
1xPart F



1xPart G



1xPart H

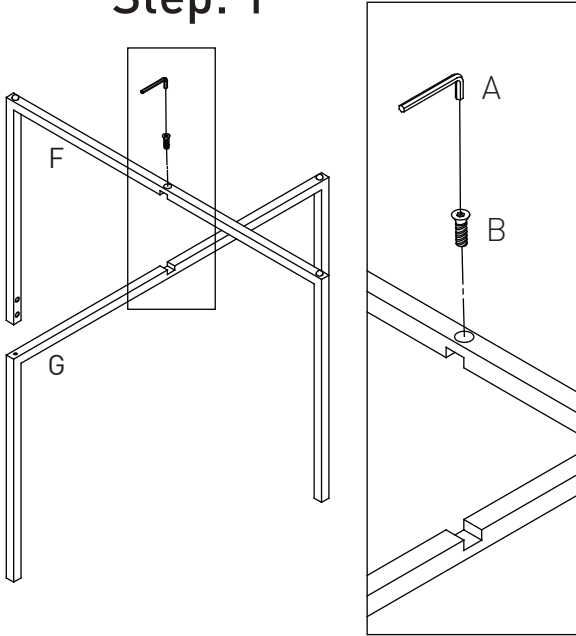


1xPart I

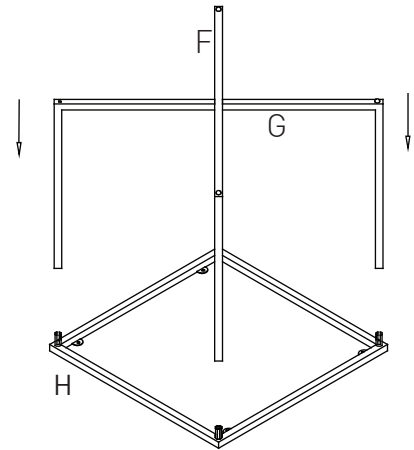
# Assembly Instructions

## Aspen Square Side Table

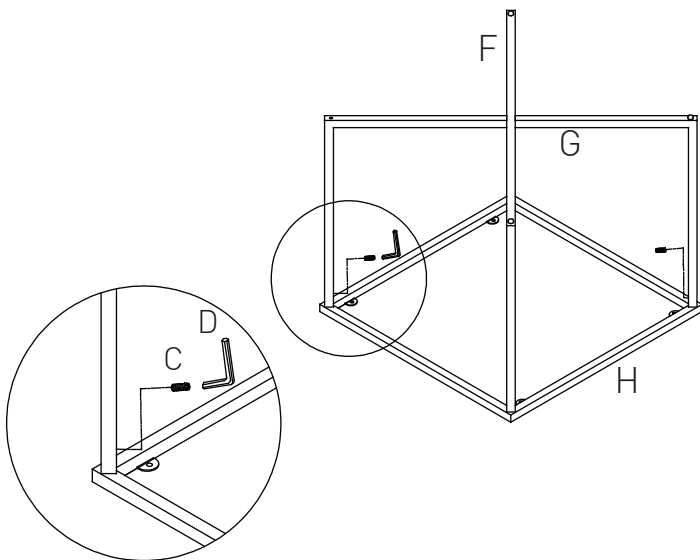
### Step: 1



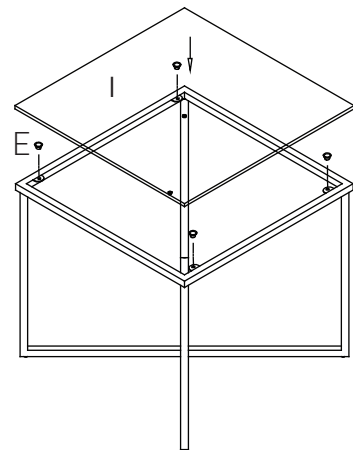
### Step: 2



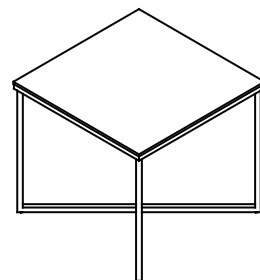
### Step: 3



### Step: 4



### Finished:



Do not tighten bolts until Part F & G are fitted to Part H